

MASTER / CAM CONTROLLERS

INTRODUCTION :

Master Controllers are used for remote operation of contractors equipment controlling E.O.T. Cranes & Rolling mills drives. The controllers are made in dust proof enclosure in IP-54 degree of protection, up to 6 notches either side with maximum 24 contacts as per desired sequence with spring return arrangement & Dead man's handle arrangement are available. And Master Controllers are compact up to 4-0-4 step suitable for Hoist -Grab, CT - LT maximum contacts 16 per motion with spring return arrangement.

GENERAL :

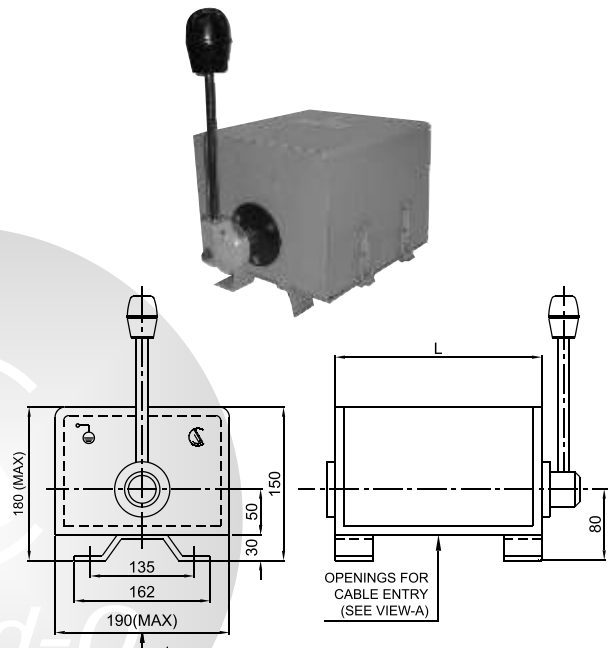
Master Controllers are of cam type where in contacts are actuated by individual cams mounted on operated shaft. These controllers are used for remote operation of contractors equipment controlling heavy duty E. O. T. cranes & Rolling mill drives.

CONSTRUCTION :

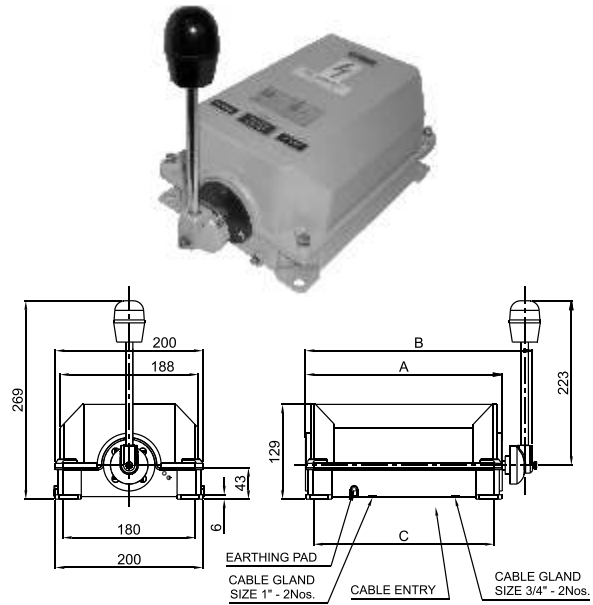
Master Controller is housed in enclosure and provided with an easily removable cover with ample area for maintenance. The cam shaft is mounted on bearing bushes on walls of housing. The cams are made of delrin material and fixed on square

TECHNICAL DATA :

| | |
|--------------------------|--|
| Body Material | -Sheet Steel / Aluminium Die cast |
| Protection Degree | -IP-44 / IP-54 |
| Confirming to IS | -13947(Part-1)1993 |
| Mounting position | -Horizontal / Vertical |
| Contact Material | -Silver Cadmium |
| Rated Voltage Insulation | -500 V. A. C. |
| Thermal Test Current | -10 Amps. |
| Cable entries | -2X20Ø 2x26Ø standard conduit |
| Frequency of operation | -1000 switching per hour |
| Contacts | -Single / double break |
| No. of contacts | -24 maximum |
| No. of steps | -6-0-6 maximum |
| Optional | -Spring return / deadman's Handle arrangement |



| DIMENSIONS DETAILS | | | | | |
|--------------------|-----|-----|-----------------|----------------------|--------|
| TYPE | L | d | NO. OF CONTACTS | NO. OF CABLE ENTRIES | |
| | | | | DIA 20 | DIA 26 |
| 1 | 135 | 105 | 8 | 2 | 2 |
| 2 | 195 | 165 | 12 | 2 | 4 |
| 3 | 245 | 215 | 18 | 2 | 4 |
| 4 | 305 | 265 | 24 | 2 | 6 |



| DIMENSIONS DETAILS | | | | | | |
|--------------------|-----|-----|-----|-----------------|----------------------|--------|
| TYPE | A | B | C | NO. OF CONTACTS | NO. OF CABLE ENTRIES | |
| | | | | | DIA 20 | DIA 25 |
| SMALL | 170 | 220 | 90 | 8 | 1 | 1 |
| MEDIUM | 267 | 308 | 245 | 16 | 2 | 2 |
| BIG | 370 | 435 | 140 | 24 | 2 | 2 |

DUAL MASTER CONTROLLER

GENERAL

Twin master controller with one universal handle allows a crane operator to control both bridge & trolley motions with one handle. Simultaneous operation of bridge & trolley motions provide for greater spotting accuracy and faster movement of loads. The handle of joystick can be moved into any quadrant and any position. Universal controllers are also used for hoist / grab motion. Master controllers are coupled with universal joint for operation of controller individually / jointly to get the desired motion operation

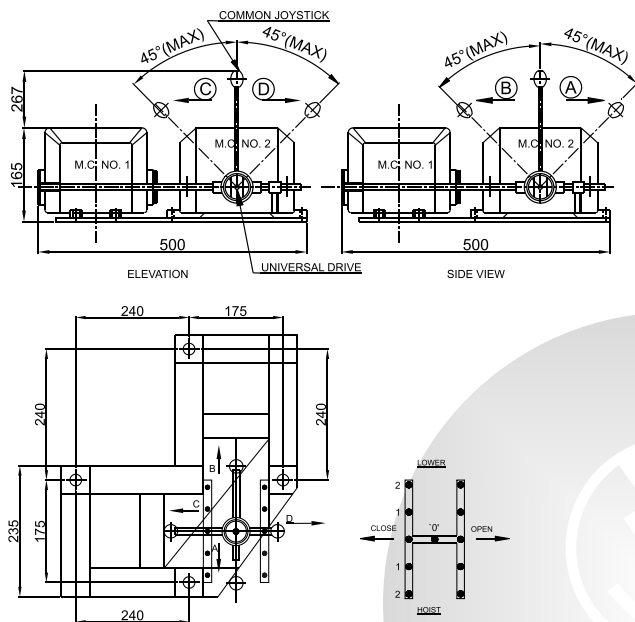
TECHNICAL DATA

| | |
|------------------|---------------------------|
| Body material | -al. Die cast |
| Contact material | -silver cadmium |
| Contacts | -single bracket |
| No of coactants | -16 per controller (max.) |



TECHNICAL DATA

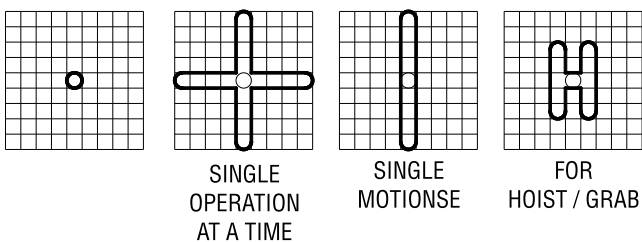
| | |
|--------------------------|--------------------------------|
| Body material | -al. Die cast |
| Protection degree | -ip-54 |
| Contact material | -silver cadmium |
| Contacts | -single bracket |
| Rated voltage insulation | - 500 volts a.c. |
| Thermal test current | - 10 amps. |
| Cable entries | - 1x20 , 1x26 standard conduit |
| No of coactants | -16 per controller (max.) |
| Max. No. Of notches | - 5-0-5 maximum |
| Optional | |



Note :

- 1) master controller no.1 operates in the direction - 'a' & 'b'
- 2) master controller no.2 operates in the direction - 'c' & 'd'
- 3) all angles are isa 4040 x 5.
- 4) No. Of notches 4(max)
- 5) Max. No. Of cams per controller-16.
- 6) No. Of cable entries a) dia. 20-2 nos.zz
b) dia. 26-2 nos.zz

LEVER GATES



TECHNICAL DETAILS

