

WORM DRIVELIMIT SWITCHES (FG MODEL)

APPLICATION :

These Limit Switches are designed and manufactured according to safety standard and are suitable for use on reversing drives, such as Hoists, Crane, Winches, Rolling Mills, theater, coke oven etc.

DESIGN :

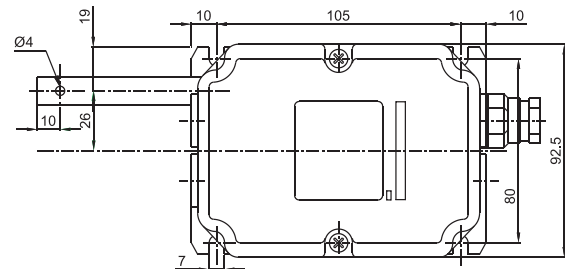
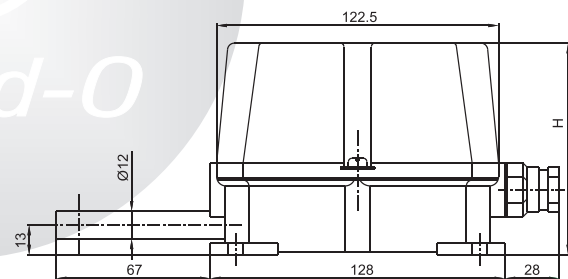
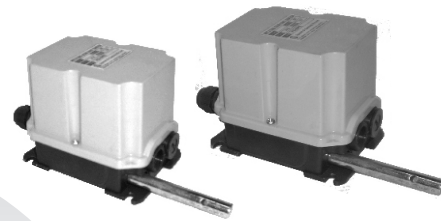
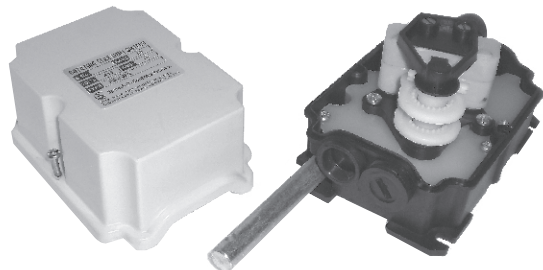
The driving motion is transmitted by worm gear. All gears and hubs are made of low wear thermoplastic. The rotational movements are transmitted to switches by adjustable cams.

DRIVING CAMS :

Each lever has a single micro matic register screw. This screw

TECHNICAL DATA :

- Body Material - Black GFN
- Cover Material Yellow - Impact-proof Thermo-plastic
- Protection Degree - IP -55 (IS: 13947- (Part 1))
- Mounting Position - All position mounting
- Gear ratios - 1:12.5, 1:25, 1:50, 1:100, 1:200 and 1:400
- Drive - Warm screw.
- Cable entries - Twin, 3/4 "BS conduit
- Input speed - 1200 RPM, Maximum
- Contact Material - Double brake, Silver Cadmium
- Wire Connection - Screw terminal contact
- Rated Voltage - up to 500 V ac
- Thermal Test Current - 10 A



DIMENSION 'H' :

FOR 2 CONTACTS - 84 mm.
4 CONTACTS - 104 mm.

Mechanical Data :

Ratios	Effective Rotations	Useful Rotations	2 Contacts Model	4 Contacts Model
1:12.5	12	11.6	FG-12.5P2	FG-12.5P4
1:25	24.5	23.2	FG-25 P2	FG-25 P4
1:50	49	46.5	FG-50 P2	FG-50 P4
1:100	98	93	FG-100 P2	FG-100 P4
1:200	196	185	FG-200 P2	FG-200 P4
1:400	392	372	FG-400 P2	FG-400 P4

ROTARY GEARED LIMIT SWITCHES (MODEL GRLS)



INTRODUCTION :

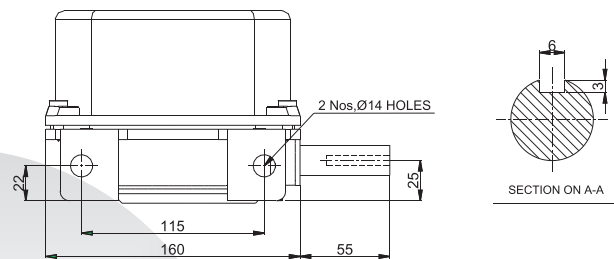
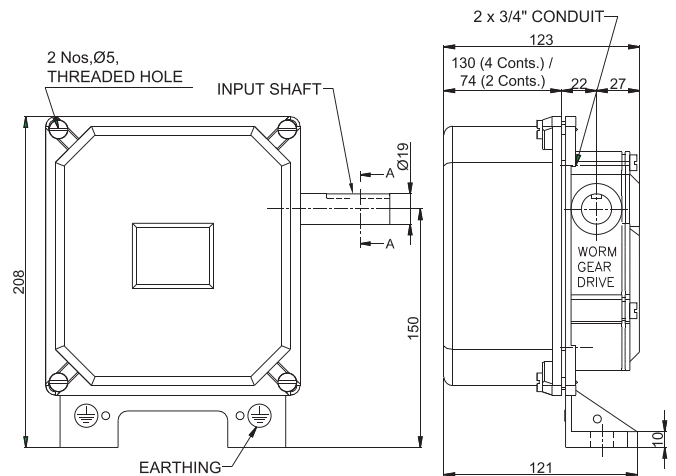
Rotary Geared Limit Switch GRLS is used to trip motor supply when the moving loads reach the extreme end positions of working zone.

OPERATION :

A two (or more) contact elements are operated by respective rotating cams, suitably adjusted on a cam shaft which rotates with fixed speed ratio of the drive motor shaft. The cams can be steplessly positioned so that they trip motor supply and stop the motion at the set point of travel. The GRLS limit switches with IP-55 degree of protection are available in desired NO/NC contacts combinations and specified gear ratios.

APPLICATION :

Rotary Geared limit switches are suitable for use on reversing drives such as Hoists, winches, rolling mills and various other mechanisms used in steel plants such as coke oven, feeding machinery etc.



Technical Data

BODY MATERIAL	ALUMINIUM DIE CAST		
PROTECTION DEGREE	IP-55 CONFIRMING TO IS-13947(PART)-1)1993		
GEAR RATIO	48 : 1	60 : 1	96 : 1
DRIVE	WORM DRIVE		
CABLE ENTRIES	2 x 3/4" CONDUIT		
CONTACT MATERIAL	SILVER CADMIUM		
RATED VOLTAGE INSULATION	500 V.A.C.		
THERMAL TEST CURRENT	10 Amps. / 40 Amps.		
NO. OF CONTACTS	2 NC OR 4 NC		
CAM SETTING	ADJUSTABLE		

Mechanical Data

Ratios	Effective Rotations	Useful Rotations	2 Contacts Model	4 Contacts Model
48:1	42	40	GRLS/48/2SH	GRLS/48/4SH
60:1	52	50	GRLS/60/2SH	GRLS/60/4SH
96:1	84	80	GRLS/96/2SH	GRLS/96/4SH