

Flame Proof IIA / IIB Pendant Push Button



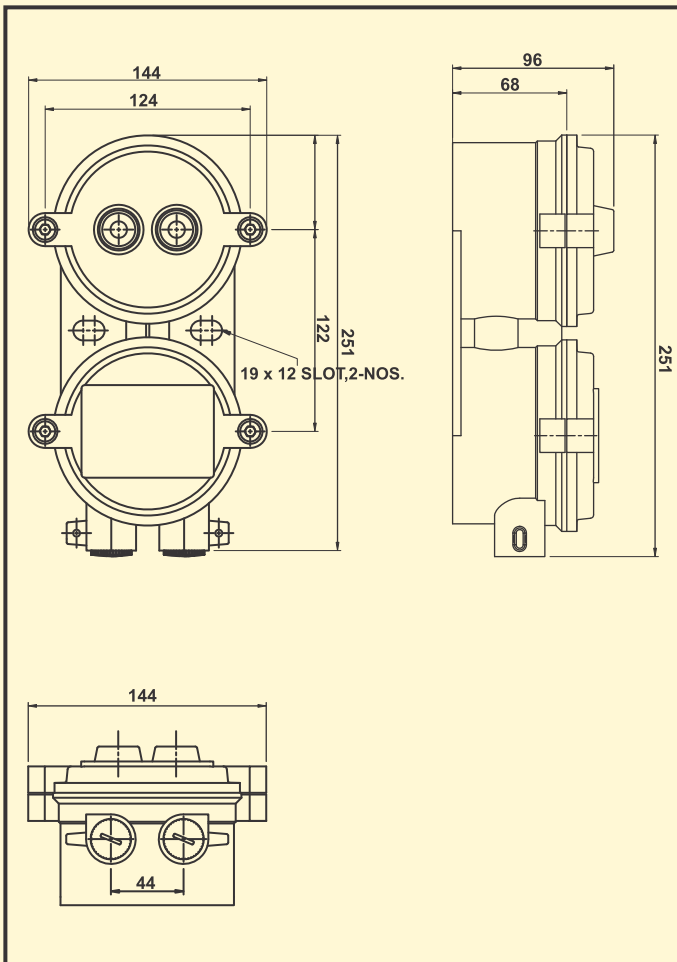
Introduction

Flame-proof **Pendant Push Button** FLP P2-IIB is used to ON/OFF switching of contactors etc. These are suitable for use in explosive gases, as specified Gas groups I, IIA and IIB, as per IS/IEC 60079-0-2007 & IS/IEC60079-1-2007.

Operation:

A two (1NO+1NC) Contact elements are provided. The FLP Pendant Box with IP-55 degree of protection are available in desired NO/NC contacts combinations

G.A.Drawing



Technical Data

Explosive Atmosphere Part I Equipment Protection by Flameproof Enclosures "d"	
Product	Pendant Push Button
Zone	Zone 1, Gas Groups I, IIA & IIB
Model	FLP P2-IIB
Voltage	500 VAC
Current	10 A AC
Ambient Temperature	-20°C + 40°C
Enclosure	Aluminium Alloy LM 4
Ingress Protection	IP-55(IEC 60529(1989))
Cable Entry	M 20 Single
IS	IS/IEC 60079-0-2004 IS/IEC 60079-1-2007
BIS License No.	CM/L-7200042490 as per IS/IEC60079-1-2007
Certificate No.	CIMFR/TC/P/245 Date:15-04-2019 Central Institute Of Mining & Fuel Research
Petroleum & Explosive Safety Organization (PESO)	A/P/HQ/GJ/104/5699(P455000) Date:26/09/2019