

Flame Proof IIA / IIB 1 Way Lever Limit Switch



Introduction

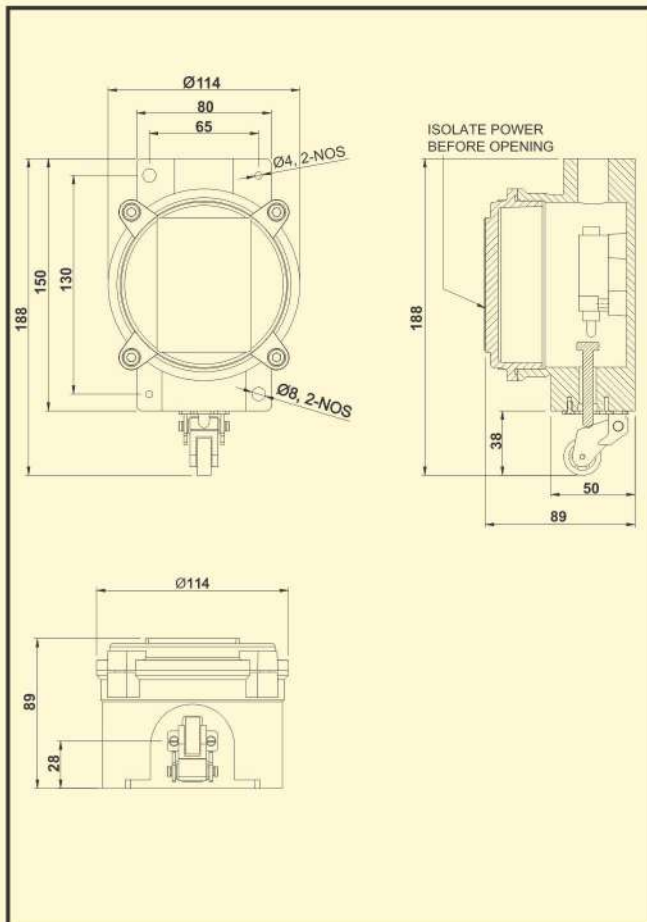
Flame-proof 1 Way Lever Limit Switch is used to trip motor supply when the moving loads reach the extreme end positions of working zone. These are suitable for use in explosive gases, as specified Gas groups I, IIA and IIB, as per IS/IEC 600079-0-2007 & IS/IEC 600079-1-2007.

Operation

A (1NO+1NC) Contact elements are operated by respective rotating cams, suitably adjusted on a cam-shaft. Which rotates with fixed speed ratio of the drive motor shaft. The FLP 1 WAY Limit Switches with IP- 54 degree of protection are available in desired NO/NC contacts.



G.A. Drawing



Technical Data

Explosive Atmosphere Part I Equipment Protection by Flameproof Enclosures "d"	
Product	1 WAY LEVER Limit Switch
Zone	Zone I, Gas Groups I, IIA & IIB
Model	FLP-LS-IIA & IIB
Voltage	Upto 500 VAC
Current	10 A AC max (1NO+1NC)
Ambient Temperature	-20°C + 40°C
Enclosure	Aluminium Alloy LM 4
Ingress Protection	IP-54
Cable Entry	M 20 Single
IS	IS/IEC 600079-0-2007 IS/IEC 600079-1-2007 IS/IEC 600529 : 2001
BIS License No.	CM/L-7200042490 as per IS/IEC 60079-1-2007
Certificate No.	CIMFR/TC/P/244 Date: 15-04-2019 Central Institute of Mining & Fuel Research
Petroleum & Explosive Safety Organization (PESO)	A/P/HQ/GJ/104/5699(P455000) Date: 26/09/2019