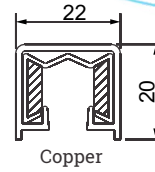


# Safe-Line M

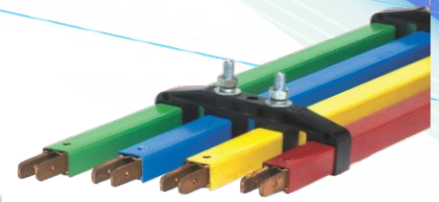
Unipole Insulated Conductor System



**Safeline-M** Conductor bars are used for power transmission. Conductor rails provide a safe and economical supply of electric power for track guided Mobile Machinery. Single Pole individually insulated conductors are ideally used for EOT Cranes etc.

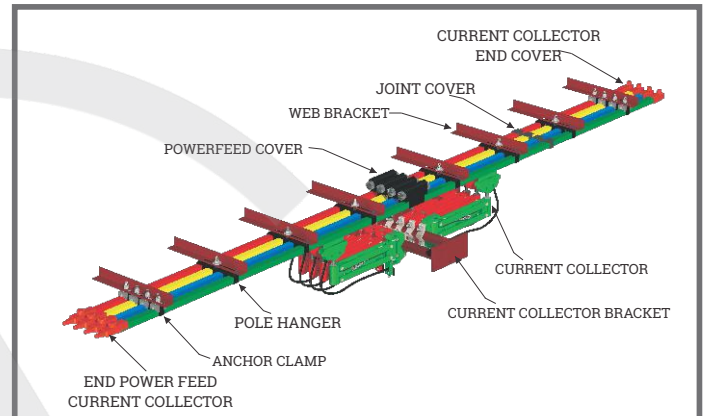


Copper



## Features

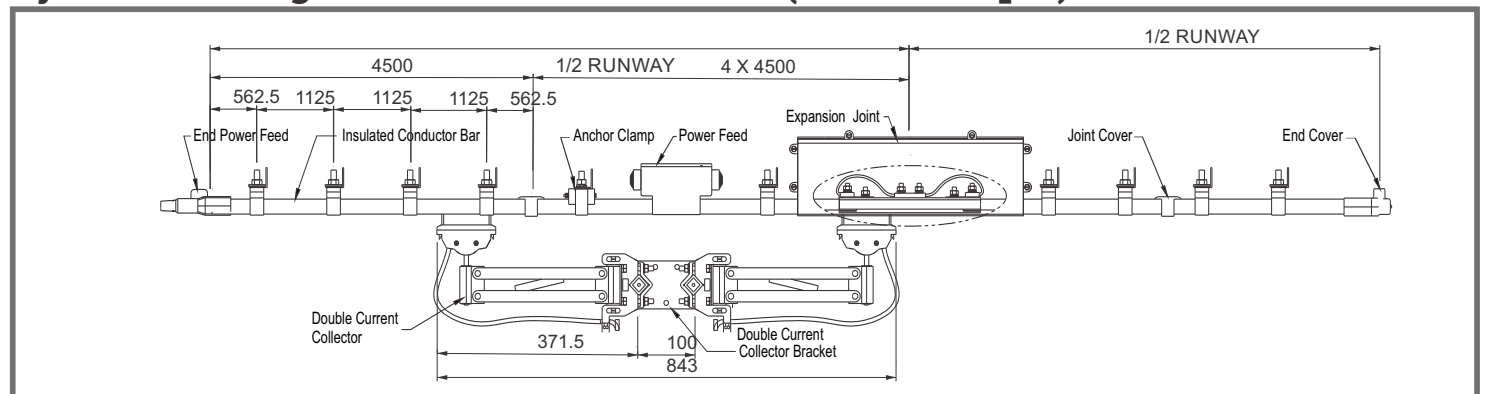
- Single Pole Individually Insulated Conductors.
- Quick & easy Installation.
- Pin Joint for Proper Alignment.
- 60,100,125 Amps. Galvanised Iron.
- 160, 250, 315 Amps. Copper.
- 1 Pole/ 4 Pole Hangers.
- Finger Safe / Touch Proof.
- System upto 150 Meter without expansion joint.
- Minimum bending radius: (horizontal only) 1.5 M.



## Technical Data Safeline -M-Pinjoint

Conductor Bar System	Galvanised Steel			Copper		
	MG-60	MG-100	MG-125	MC-160	MC-250	MC-315
Type						
Nominal Current (A) AT 100% Duty and 35°C	60	100	125	160	250	315
DC resistance (Ω/M) At +35° C	0.003584	0.002867	0.00193	0.000342	0.000274	0.000209
Impedance (Ω/M) At 80mm barspacing And +35°C	0.003604	0.002891	0.001968	0.000364	0.000300	0.000224
Voltage grade [ V ]	1000					
Support Spacing [ mm ]	1125					
Bar Length [ mm ]	4500					
Outside dimensions [ mm ]	20 x 22					
Traveling speed [ m/ m ]	600 max					
Permissible ambient temperature	-30° C + 55° C ( Standard Insulation )					
Expansion section : not required run less then [ m ]	150					

## System Arrangement For Safeline - M (60-315Amps.)



## Speed-O-Controls Pvt. Ltd.

H. O. Unit - I : C-15/16, Nand Jyot Industrial Estate, Andheri-Kurla Road, Mumbai - 400072,  
Tel : (022) 42469700-30  
Fax : (022) 42469797  
E-mail : sales@socgroup.in

Unit - II: Plot No. 4912, G. I. D. C., Phase IV, Vatva, Ahmedabad - 382445  
Tel.: (079) 40083201/2/3/4,  
Fax : (079) 25841056,  
E-mail : sales.amd@socgroup.in

Visit us at :  
[www.speedocontrols.com](http://www.speedocontrols.com)  
[www.socremote.com](http://www.socremote.com)