

Joystick Controller (JSC SERIES)



Technical Data

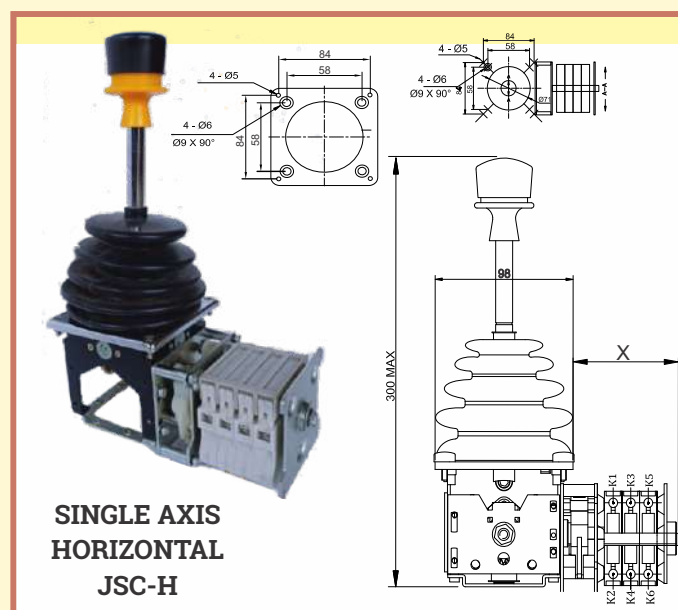
Original place	India
Model	JSC
Power	AC
Rated Current	10/40A
Rated Voltage	500VAC
Max. Operated Lever Force	≤ 50N
Max. Operated Direction	8
Max. Controlling Movement	2
Max. Step Per Direction	6
Max. Contact Per Movement	24
Operating Angle	±42 deg
Spring Return	SR
Push Button (INC + INO)	PB
Orientation	Hori./Ver.
Enclosure	Ecl
Max. Pot Per Movement	4



Introduction

Joystick Controllers are modern and compact design used for flexible operations. Highly reliable and ease of maintenance makes them suitable for usage in high precision control of heavy machine. The controller handles can maximum operate at an angle of 42 degrees with a maximum operating force of 50N. Available with analog signal & Potentiometer.

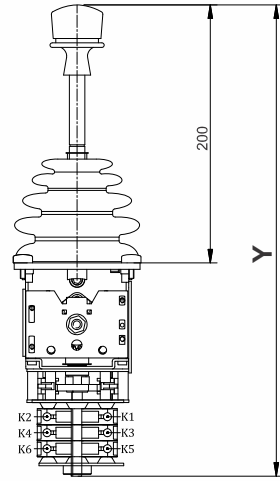
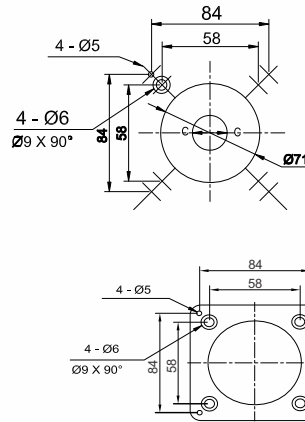
	X(mm)	Y(mm)	Z(mm)
2 CONTACTS	55	353	55
4 CONTACTS	67	365	67
6 CONTACTS	80	378	80
8 CONTACTS	92	390	92
10 CONTACTS	104	403	104
12 CONTACTS	116	415	116



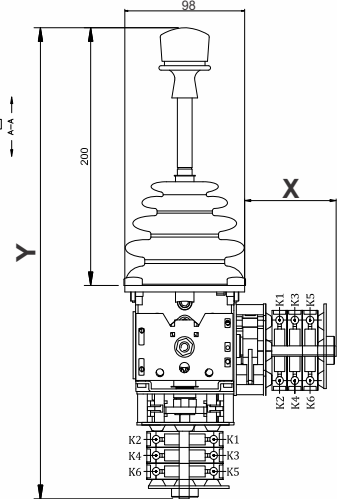
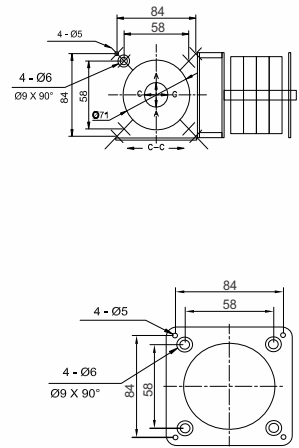
Joystick Controller (JSC SERIES)



**SINGLE AXIS
VERTICAL
JSC-V**



**DOUBLE AXIS
VERTICAL
JSC-2-V**



**DOUBLE AXIS
HORIZONTAL
JSC-2-H**

