



### INTRODUCTION

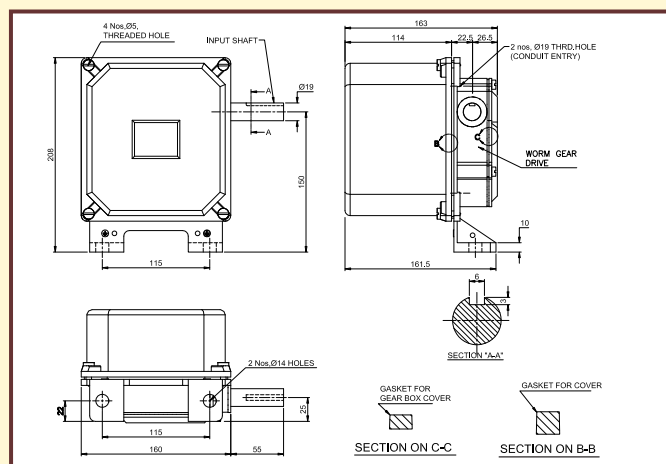
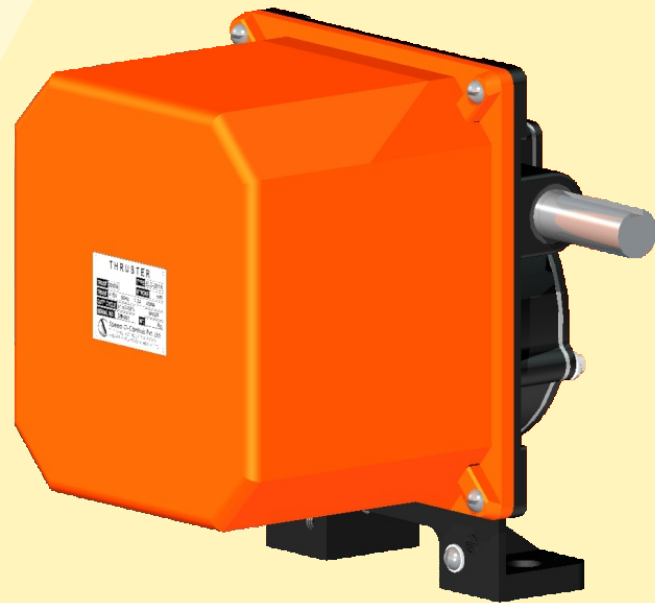
Rotary Geared Limit Switch GRLS is used to trip motor supply when the moving loads reach the extreme end positions of working zone. The driving motion is transmitted by worm gear through worm shaft. The rotations & movements are transmitted to switches by adjustable cams. Complying to IEC/EN 60947-5-1, IEC/EN 60529, IEC 60068-2-78, IEC 60068-2-30.

### APPLICATION

A Rotary Geared Limit Switch are suitable for use on reversing drives such as Hoists, Winches, Rolling Mills & various other mechanisms used in steel plants such as Coke Oven, Feeding Oven Machinery etc.

### MECHANICAL DATA

RATIO	EFFECTIVE ROTATIONS	USEFUL ROTATIONS	4 CONTACTS MODEL
96:1	96	92	GRLS/96/4SH



<b>BODY MATERIAL</b>	Aluminium Die Cast
<b>PROTECTION DEGREE</b>	IP-55 Confirming to IS/IEC : 60529(2001)
<b>GEAR RATIO</b>	96:1
<b>DRIVE</b>	Worm Drive
<b>CABLE ENTRIES</b>	2x3/4" Conduit
<b>CONTACT MATERIAL</b>	Silver Cadmium
<b>RATED VOLTAGE INSULATION</b>	500 V.A.C.
<b>THERMAL TEST CURRENT</b>	40 Amps
<b>NO. OF CONTACTS</b>	4NC/2NO+2NC
<b>CAM SETTING</b>	Adjustable

