



Introduction

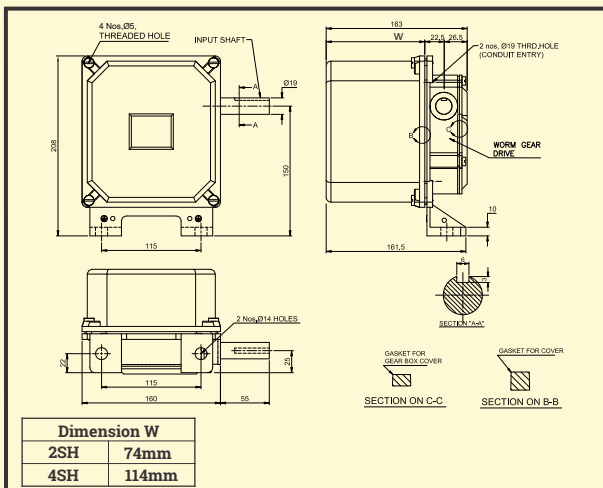
Rotary Geared Limit Switch GRLS is used to trip motor supply when the moving loads reach the extreme end positions of working zone. The driving motion is transmitted by worm gear through worm shaft. The rotations & movements are transmitted to switches by adjustable cams. Complying to **IEC/EN 60947-5-1, IEC/EN 60529, IEC 60068-2-78, IEC 60068-2-30.**

Application

A Rotary Geared Limit Switch are suitable for use on reversing drives such as Hoists, Winches, Rolling Mills & various other mechanisms used in steel plants such as Coke Oven, Feeding Oven Machinery etc.

Mechanical Data

Ratio	Useful Rotations	2 Contacts Model 40 A	4 Contacts Model 40A
48:1	44	GRLS/48/2SH	GRLS/48/4SH
60:1	56	GRLS/60/2SH	GRLS/60/4SH
96:1	92	GRLS/96/2SH	GRLS/96/4SH



Technical Data :

Body Material	Aluminium Die Cast
Protection Degree	IP-55 Confirming to (IS/IEC : 60529(2001))
Gear Ratio	48:1 / 60:1 / 96:1
Drive	Worm Drive
Cable Entries	2x3/4" Conduit
Contact Material	Single/ Double Break Silver Cadmium
Rated Voltage Insulation	500 V.A.C.
Thermal Test Current	40 Amps
No. Of Contacts	2NC OR 2NO
Cam Setting	Adjustable

