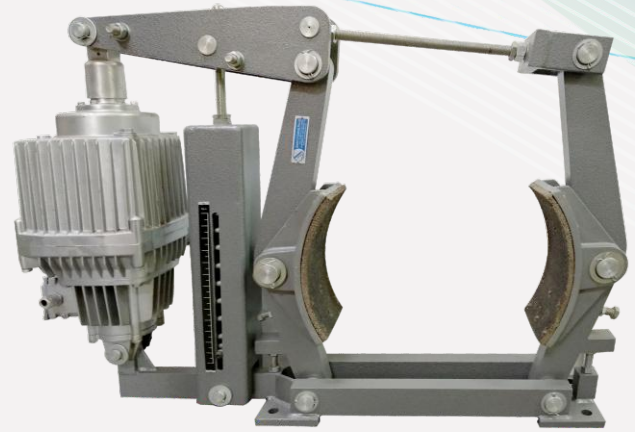


Thruster Brakes Eldro (SMD 600-121)

Brake Features

- SMD Thruster brakes are steel fabricated frames with Eldro Thruster.
- Robust and rugged design to withstand arduous environment in steel, Rolling Mills, Elevators, Lifts Cements and other heavy engineering plants.
- Excellent designs & good manufacturing process ensure a reliable product.
- Consistent braking torque due to selected and tested brake lining material.(asbestos free)
- The design ensures efficient distribution of forces.
- Ease Of maintenance and replacement of brake shoe without dismounting the brake.
- Compact designs and elegant aesthetic looks.

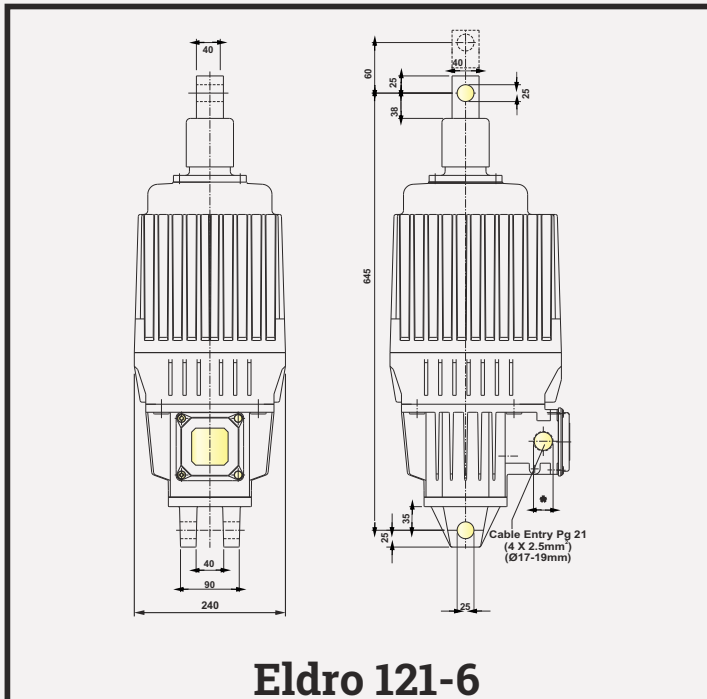


Technical Data

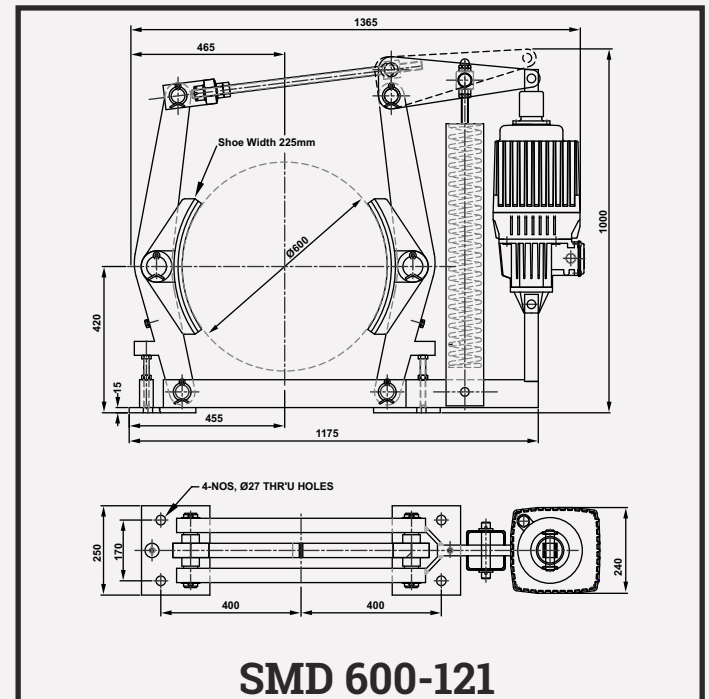
Item	Brake	Thruster
Model	SMD 600-121	Eldro 121-6
Lifting Force	-	1200N/120 Kg
Drum Dia.	600 mm	-
Breaking Torque	330 Kg-m	-
Stroke	-	60 mm
Oil Capacity	-	9.4 Liters
Rated Voltage	-	415 VAC, 3ø Ph
Ingress Protection	-	IP 65 (IS/IEC -60529(2001)
Operating Temperature	-	+50° C
Power at	-	330 Watt
Weight	206 Kg	39 Kg
Current At 415 VAC	-	1.2 Amps

Thruster Specifications

The centrifugal pump and motor are immune from external overloading. Standard motor design is suitable for 415 Volts / 50 Hz / 3-Phase supply. Other voltage and frequencies can be offered against request. The star connected, Class F windings have internal star point, and the three supply phases can be connected on the terminal board, irrespective of the phase sequence. The bi-directional radial flow impeller works with equal performance efficiency in both directions.



Eldro 121-6



SMD 600-121